

25 cu. ft. 3-Door French Door Refrigerator

- 33" Width
- 24.5 cu. ft. Capacity
- Filtered Ice & Water Dispenser
- Dual Ice Maker
- Door Cooling
- LED Lighting
- Premium Handles
- LG ThinQ® Technology (Wi-Fi)
- ThinQ Care



COLOR AVAILABILITY

- LF25H6330S – PrintProof® Stainless Steel
- LF25H6330D – PrintProof® Black Stainless Steel

CAPACITY

Refrigerator (cu. ft.)	16.3
Freezer (cu. ft.)	8.2
Total Capacity (cu. ft.)	24.5

ENERGY

Energy Consumption (kWh / Year)	710
ENERGY STAR® Certified	Yes

WATER & ICE SYSTEM

In-Door Dispenser	Ice & Water
Internal Water Dispenser	No
In-Door Ice System	Yes
In-door Ice Maker - Ice Type	Cubed / Crushed
In-door Ice Maker - Daily Ice Production	2.5 lbs. (2.7 lbs. w/IcePlus®)
In-door Ice Maker - Ice Storage Capacity	2.3 lbs
Freezer Ice Maker	Yes
Freezer Ice Maker - Ice Type	Cubed
Freezer Ice Maker - Daily Ice Production	2.5 lbs. (2.8 lbs. w/IcePlus®)
Freezer Ice Maker - Ice Storage Capacity	5.1 lbs
Dispenser Light	No
Water Filter	LT1000P (NSF-Certified*)

COOLING

Compressor Type	Smart Inverter
Dual Evaporators	No (1 evaporator)
Multi-Air Flow System	Yes
Door Cooling	Yes
Temperature Sensors	5
Fresh Air Filter	Yes

CONVENIENCE

Display Type	Membrane / White LED
Temperature Controls	Electronic / Digital
Door Alarm	Yes
Child Lock	Yes
Auto Closing Door Hinge	Yes
ADA Compliant	Yes
Sabbath Mode	Yes

REFRIGERATOR

No. of Shelves	4 Split (4 Fixed)
Cantilevered Shelves	Yes
Shelf Construction	Tempered Glass
Crisper Bins	Yes (2)
Glide N' Serve® Pantry Drawer	Yes
Cool Guard	No
Refrigerator Light	Yes

REFRIGERATOR DOOR

Edge-to-Edge InstaView®	No
InstaView® Door-in-Door®	No
Door-in-Door® with ColdSaver® Panel	No
No. of Door Bins	6 (3 Left, 3 Right)
Door Bin Construction	1 Piece (Clear)

FREEZER

Freezer Type	Pull Drawer
Freezer Drawers	2-Tier Organization
DuraBase® Solid Drawer Base	Yes
Drawer Divider	Yes (Fixed)
Ice Storage	Ice Bin in Freezer
Freezer Light	LED Lighting
Freezer Handle	Pocket Handle

SMART FEATURES

Wi-Fi Enabled	Yes
ThinQ® Technology	Yes
ThinQ Care	Yes
ThinQ Up	Yes
SmartDiagnosis™	Yes
Remote Monitoring	Yes

MATERIALS AND FINISHES

Hidden Hinges	Yes
Surface	Smooth
Fingerprint & Smudge Resistant Exterior	Yes
Handles	Hybrid

ACCESSORIES

Replacement Water Filter	LT1000P
Replacement Fresh Air Filter	LT120F

TECHNICAL SPECS

Required Power Supply	115 V, 60 Hz, 15 Amp
Plug Type	3-Prong
Power Cord Location	Back
Min. / Max. Water Pressure	20 - 120 psi

DIMENSIONS / CLEARANCES / WEIGHTS

Depth with Handles	35 3/8"
Depth without Handles	33 1/4"
Depth without Door	29 1/2"
Depth (Total with Door Open)	46 5/8"
Height to Top of Case	68 1/2"
Height to Top of Door Hinge	69 7/8"
Width	32 3/4"
Width (Door Open 90° with Handle)	41 5/8"
Width (Door Open 90° without Handle)	36 11/16"
Door Edge Clearance with Handle	4 3/4"
Door Edge Clearance without Handle	2 1/4"
Installation Clearance	Sides 1/8", Top 1", Back 2"
Approx. Weight (Product / Carton)	262 lbs. / 276.7 lbs
Carton Dimensions (WxHxD)	35 1/8" x 71 7/16" x 37 5/8"

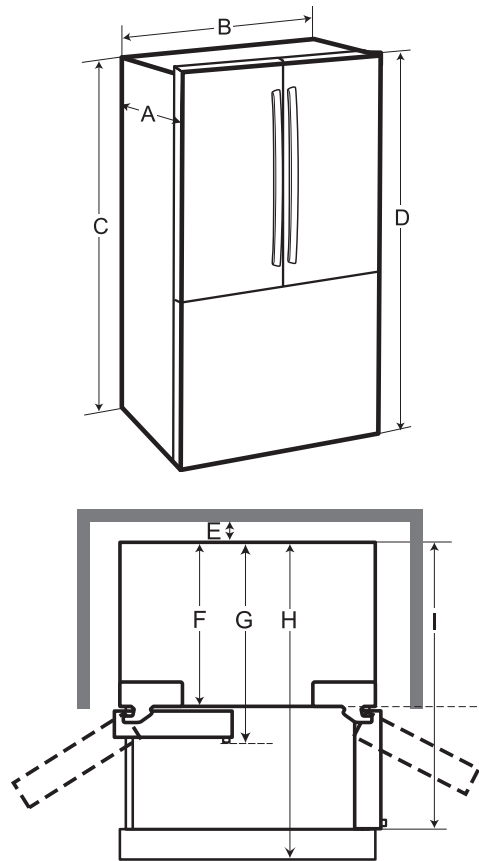
LIMITED WARRANTY

Parts & Labor	1 Year
Sealed System (Parts & Labor)	5 Years
Compressor (Parts & Labor)	5 Years
Smart Inverter Compressor (Parts Only)	10 Years



*System tested and certified by NSF® International against NSF / ANSI Standard 42, Standard 53 and Standard 401.

DIMENSIONS / CLEARANCES



DIMENSIONS / CLEARANCES

A	Depth without Handles	33 1/4" (845 mm)
B	Width	32 3/4" (833 mm)
C	Height to Top of Case	68 1/2" (1740 mm)
D	Height to Top of Hinge	69 7/8" (1774 mm)
E	Back Clearance	2" (51 mm)
F	Depth without Door	29 1/2" (749.3 mm)
G	Depth with Handle	35 3/8" (899 mm)
H	Depth (Total with Freezer Drawer Open)	53 3/8" (1355 mm)
I	Depth (Total with Door Open 90°)	46 5/8" (1185 mm)

INSTALLATION NOTES

- The installation location chosen for the refrigerator should allow space behind the unit for connections and airflow and space in front to open the doors and drawers.
- Too small of a distance from adjacent items may result in lowered freezing capability and increased electricity consumption charges. Allow at least 24 inches (610 mm) in front of the refrigerator to open the doors, and at least 2 inches (50.8 mm) between the back of the refrigerator and the wall.